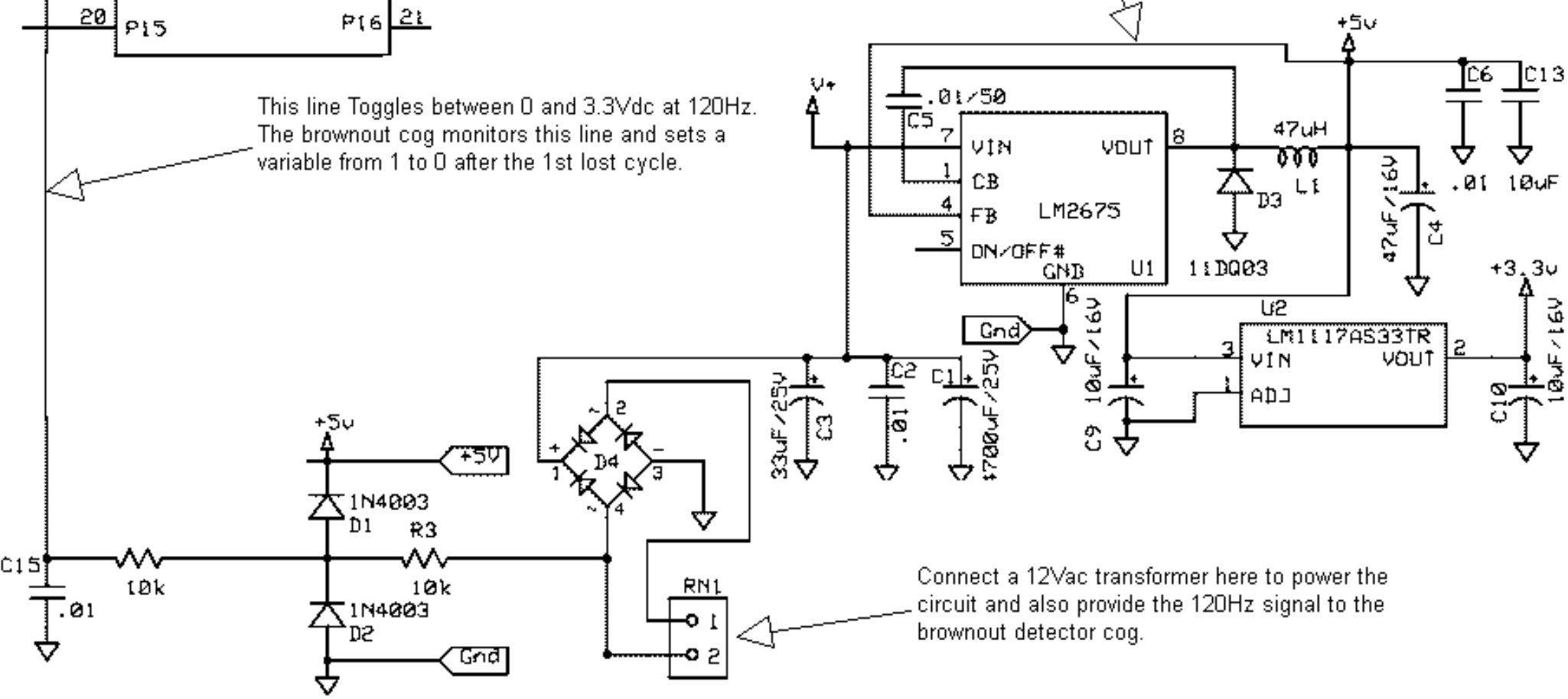


This line Toggles between 0 and 3.3Vdc at 120Hz. The brownout cog monitors this line and sets a variable from 1 to 0 after the 1st lost cycle.

+5Vdc and +3.3Vdc power supplies shown for reference only.



Connect a 12Vac transformer here to power the circuit and also provide the 120Hz signal to the brownout detector cog.